

Manual Bench Pressure Pump v1.0

Overview

The manual bench pressure pumps have a simple structure, convenient operation and maintenance, stable pressure control, and adopt a pressure rod type preload structure, which can quickly generate the required pressure value, reduce the pipeline blockage caused by the contamination of the pressure transmission medium, and meet the industry standard of JB/T599-2005 pressure gauge calibrator.

Various models cover pressure ranges from vacuum to high pressure like 2500 bar or higher. It can be used for metrology laboratory testing or pressure instrumentation, calibration of pressure transmitters, gauges, pressurized leak testing of pressure vessels.

Models: **CW8620C** **CW8400** **CW8610T**

Features

Robust and durable

Multi-layer seal construction and 304 stainless steel pressurized system to avoid leakage.

Easy to use

The pressurizing lever can easily generate high pressure in a short stroke.

Quick connection

M20×1.5 female quick coupling, easy to connect and disconnect without wrench.

Strong adaptability

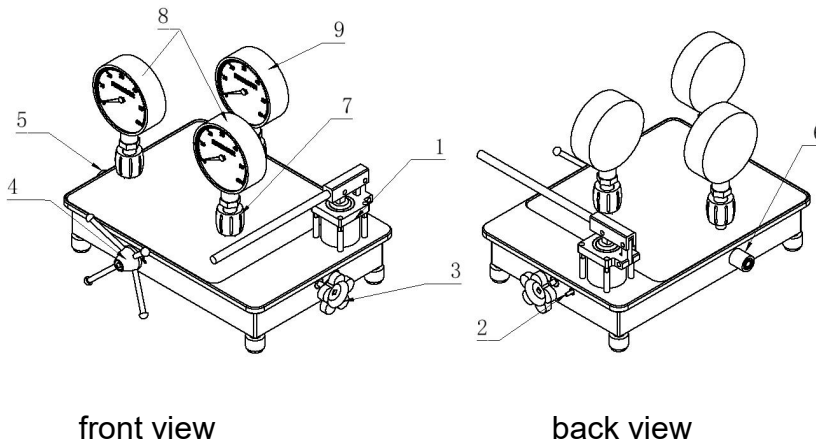
Large load capacity, compatible with the calibration of pressure transmitters, gauges.

Structure and Schematic Diagram

● CW8620C bench pneumatic pressure pump



Configuration structure

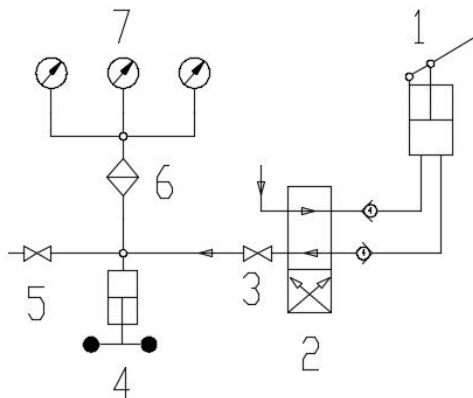


front view

back view

1. prim-pump
2. directional control valve
3. stop valve(For precision measurement, disconnect the connection between the pressurization and detection sections.)
4. regulator handle
5. vent valve
6. discharge outlet
7. connection thread (M20×1.5female)
8. devices under test
9. standard gauge

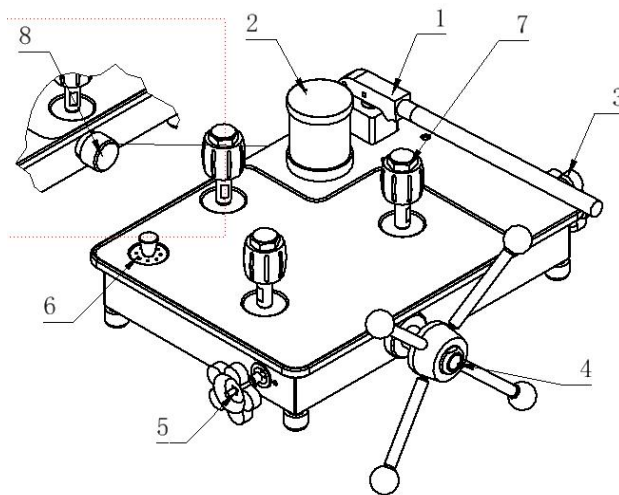
Pipeline connection



● **CW8400 bench hydraulic pressure pump**

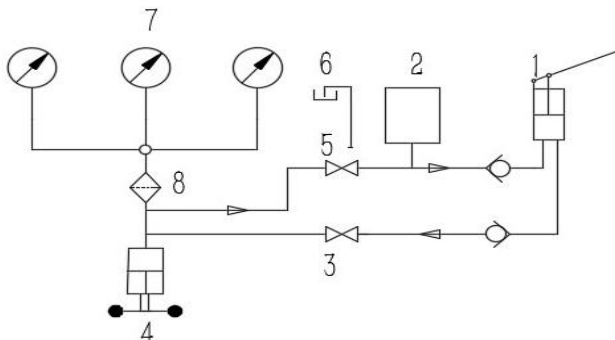


Configuration structure



- 1. prim-pump
- 2. oil cup
- 3. stop valve
- 4. regulator handle
- 5. vent valve
- 6. dirty oil/water cup
- 7. connection
- 8. effluent discharge/filter mesh

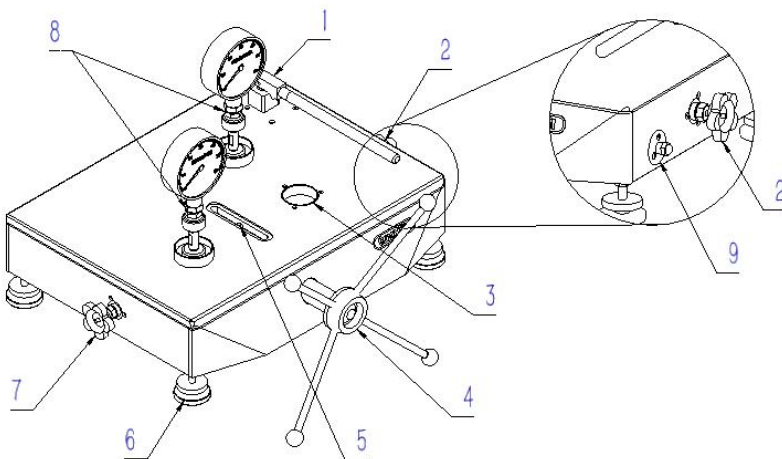
Pipeline connection



● **CW8610T bench hydraulic pressure pump**

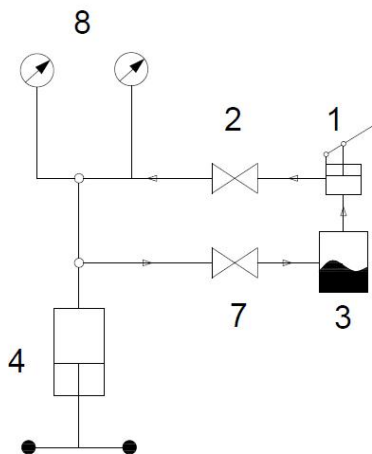


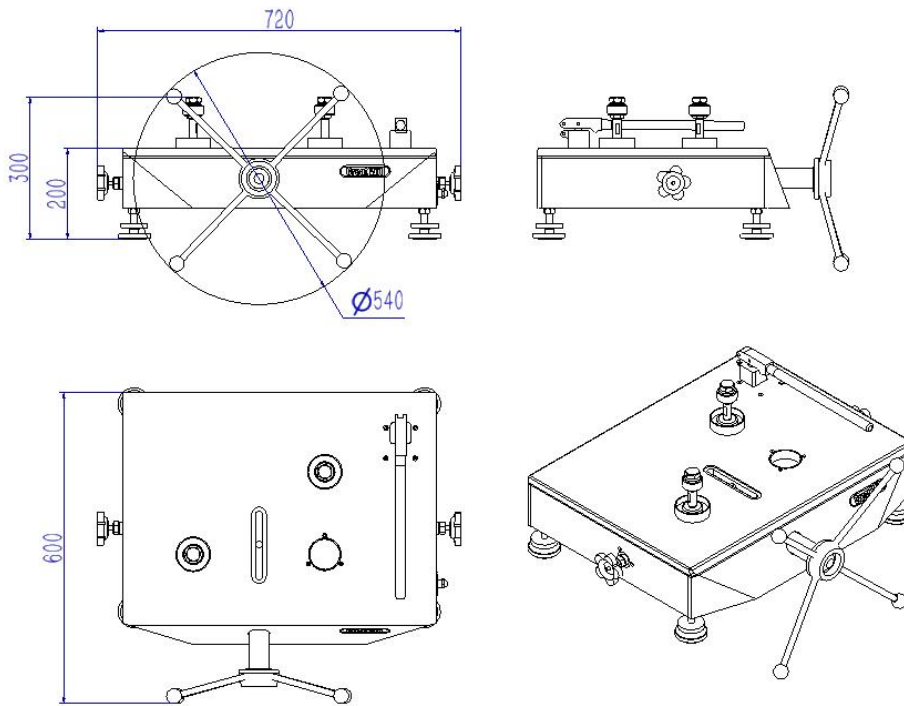
Configuration structure



- 1—prim pump (Max 3000psi)
- 2—prim pump stop valve
- 3—Oil cup
- 4—Regulator
- 5—Regulator place display
- 6—Leveling foot
- 7—Vent valve
- 8—Connection
- 9—drain valve

Pipeline connection



Size**Specifications**

Model	CW8620C	CW8400	CW8610T
Pressure range/bar	-0.95~60	0~600/0-1000	0~2500/0-5000
Media	Clean air	deionized water/ sebacate	sebacate
Resolution	10Pa	1 kPa	1 kPa
Connection thread	M20×1.5 (3pcs)	M20×1.5 (3pcs)	M20×1.5 (2pcs)
Size (length × width × height)	500mm×400mm×175mm		720mm×600mm×300mm
Weight	14kg	15kg	42kg

Services and accessories**1. Service support**

- After-sales support: 1-year warranty, 48 hours response to maintenance.
- Customized services: more ranges of user-defined

- Technical support: operation video and online customer service

2. Accessories

Model	CW8620C	CW8400	CW8610T
Pressure range/bar	-0.95~60	0~600/0-1000	0~2500/0-5000
User manual	1copy	1copy	1copy
Certificate of Conformity	1copy	1copy	1copy
Catalog	1copy	1copy	1copy
O-ring $\phi 12 \times 2.5$ (for connection threads)	10pcs	10pcs	10pcs

Note: We strive to ensure the accuracy of this document. However, due to market developments and product improvements, content may be updated without prior notice. Images are for reference only, actual products may vary.